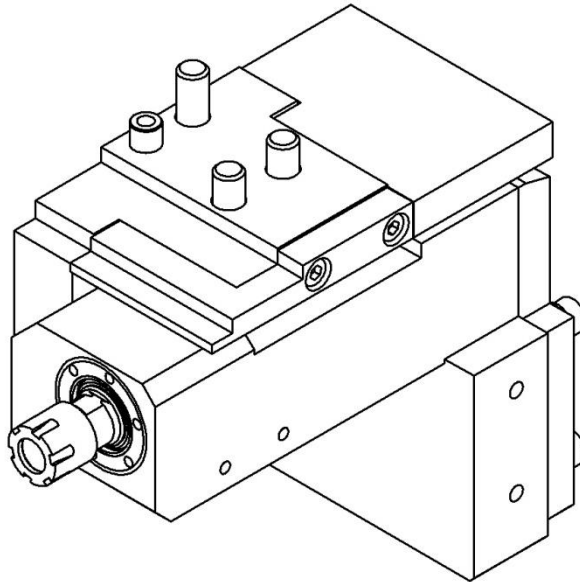


U48B-ER08

Machine: CITIZEN

Type: R04-5F9

Emplacement, N°: Coulisse linéaire

Travail sur: Broche principale

Type de travail:  n_{max} : 8'000 [rpm] $i (n_i / n_o)$: 1 / 1

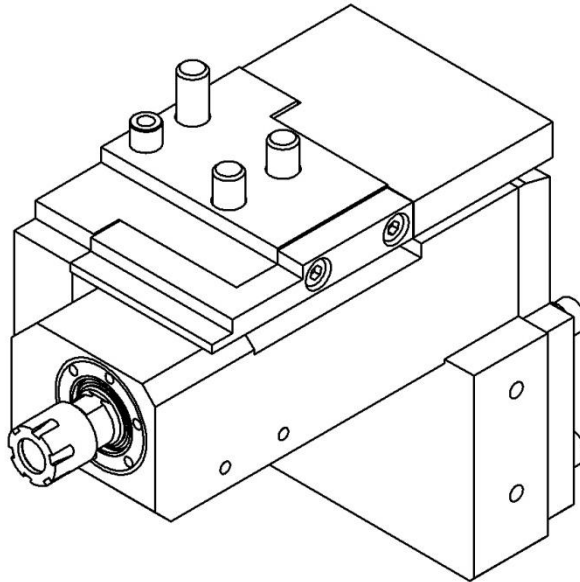
Attachement: ER08

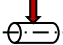
Refroidissement par huile

Infos: Utiliser le moteur et les protections de l'outil U30B.

En option :

- Tasseau Ø3.5/ER08 x 4 [mm]
- Tasseau Ø3.5/ER08 x 12 [mm]
- Tasseau Ø3.5/ER08 x 4 [mm]
- Tasseau Ø3.5/ER08 x 4 [mm]

U48B-ER08

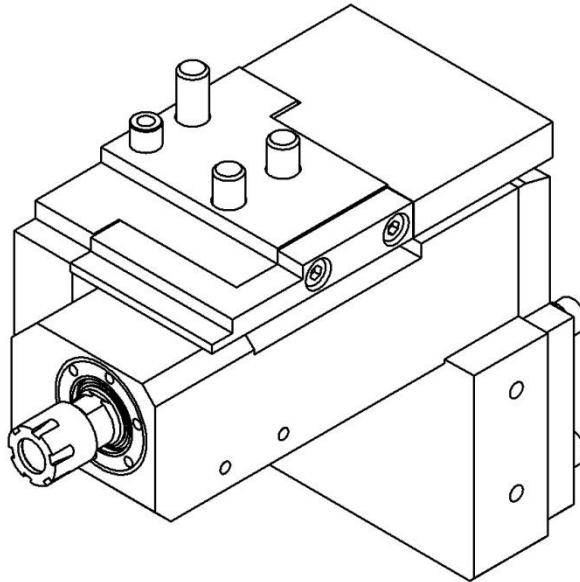
Machine: CITIZEN
Type: R04-5F9
Location, N°: Gangtool
Work on: Main spindle
Type of work: 
 n_{max} : 8'000 [rpm]
 $i (n_i / n_o)$: 1 / 1
Attachement: ER08

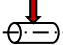
Oil cooling

Infos: To be used with motor and protections of U30B.

In option :

- Cleat Ø3.5/ER08 x 4 [mm]
- Cleat Ø3.5/ER08 x 12 [mm]
- Cleat Ø3.5/ER08 x 4 [mm]
- Cleat Ø3.5/ER08 x 4 [mm]

U48B-ER08

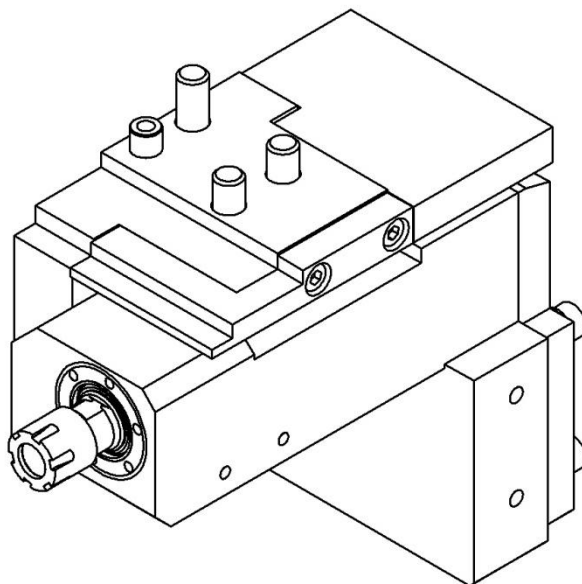
Maschine: CITIZEN
Typ: R04-5F9
Position, N°: Vertikalhalter
Arbeit über: Hauptspindel
Arbeitstyp: 
 n_{max} : 8'000 [rpm]
 $i (n_i / n_o)$: 1 / 1
Befestigung: ER08

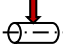
Ölkühlung

Infos: Mit Motor und Schutzhaube von U30B verwendet.

Als Option:

- Klampe Ø3.5/ER08 x 4 [mm]
- Klampe Ø3.5/ER08 x 12 [mm]
- Klampe Ø3.5/ER08 x 4 [mm]
- Klampe Ø3.5/ER08 x 4 [mm]

U48B-ER08

Macchina: CITIZEN
Tipo: R04-5F9
Posizione, N°: Slitta lineare
Lavoro al: Mandrino principale
Tipo di lavoro: 
 n_{max} : 8'000 [rpm]
 $i (n_i / n_o)$: 1 / 1
Ataccamento: ER08

Raffreddamento per olio

Informazioni: utilizzare con il motore e protezioni U30B.

Come opzione:

- Tacchetto Ø3.5/ER08 x 4 [mm]
- Tacchetto Ø3.5/ER08 x 12 [mm]
- Tacchetto Ø3.5/ER08 x 4 [mm]
- Tacchetto Ø3.5/ER08 x 4 [mm]